

mag-flux T4

Magnetic flow meter
compact and separated



IMPRINT

All rights reserved. Any reproduction or usage without written authorisation of MECON GmbH - even partial content - is strictly prohibited.

Subject to change without notice.

Copyright 2019 by MECON GmbH - Röntgenstr. 105 - 50169 Kerpen - Germany

Contents

1	SAFETY INSTRUCTIONS.....	4
1.1	Intended use.....	4
1.2	Certifications	5
1.3	Manufacturer's safety instructions	5
2	DEVICE DESCRIPTION	7
2.1	Scope of delivery	7
2.2	Nameplate	8
3	INSTALLATION AND MODE OF OPERATION	9
3.1	Measuring principle.....	9
3.2	System design.....	9
3.3	Installation notes.....	10
3.4	Installation instructions	10
3.5	Assembly	13
3.6	Electrical connection	16
4	START-UP.....	19
5	TECHNICAL DATA.....	20
5.1	Reference conditions.....	20
5.2	Flow sensor / transducer	20
5.3	Condition of fluid	21
5.4	Transducer M1.....	21
5.5	Dimensions coupling connection compact design.....	22
5.6	Dimensions coupling connection separate design.....	23
5.7	Dimensions flange connection compact design	24
5.8	Dimensions flange connection sompact design	25
5.9	Dimensions thread connection compact design.....	26
5.10	Dimensions thread connection separate design.....	27
5.11	Dimensions of transducer mag-flux M1.....	28
6	DESCRIPTION CODE	28
7	SERVICE.....	34
7.1	Storage	34
7.2	Maintenance	34
7.3	Returning the equipment to the manufacturer	34
7.4	Disposal	34
8	FAULT MESSAGES.....	35

1 SAFETY INSTRUCTIONS

1.1 Intended use

Magnetic flow meters (MD) are precision measuring instruments and suitable for the linear flow measurement of almost all electrically conductive liquids. Due to the magnetic field, they can be used for flow velocities of up to 10 m/s (32.8 ft/s) and where there is a minimum conductivity of 20 $\mu\text{S}/\text{cm}$ when using a synchronized static field.

Proper use in accordance with the VdS guidelines does not permit this magnetic flow sensor (MD) to be used to regulate the process.

The complete measuring system consists of a flow sensor and its associated transducer.



Warning!

The operator of these measuring devices is solely responsible for the suitability, intended use and corrosion resistance of the selected materials. In particular, it must be ensured that the materials selected for the wetted parts of the flow meter are suitable for the process media to be measured.

The meter must not be exposed to external loads. These flow meters are primarily designed for static applications.

Hot process media can lead to hot surfaces! There is a risk of burns where the surface temperatures are above +70 °C.

Suitable protective measures should be taken, e.g. protection to prevent contact.

The contact protection must be designed such that the maximum ambient temperature around the equipment is not exceeded.

The equipment may only be operated within the pressure and voltage limits stated on the nameplate. Before replacing the equipment, it is essential to check that the flow meter is free of hazardous media and pressure.

If you return mag-flux sensors back to MECON GmbH, please take note of the "Return equipment Form" which can be found on the Internet at www.mecon.de/en/device-returns/. Without this completed form, no repair or testing can be carried out by MECON GmbH.

1.2 Certifications

CE marking



By affixing the CE mark, the manufacturer certifies that the mag-flux T4 MD, where appropriate, complies with the legal requirements of the following EU Directives:

- » Directive 2014/30/EU (EMC Directive)
- » Low Voltage Directive 2014/35/EU

VdS certification



- » VdS recognition: 2344, 2100-29
- » VdS approval number: G419006

1.3 Manufacturer's safety instructions

The manufacturer is not liable for damages of any kind caused by the use of the equipment, including, but not limited to, direct, indirect, incidental, punitive and consequential damages.

The warranty applies to every product purchased from the manufacturer, according to the relevant product documentation and the valid terms and conditions.

The manufacturer reserves the right to revise the content of the documents, including this disclaimer, without notice, and is not liable in any way for possible consequences of such changes.

The responsibility that the instruments are suitable for the particular application rests solely with the operator. MECON GmbH assumes no liability for the consequences of misuse, modifications or repairs that have been carried out by the customer without prior consultation.

In case of a complaint the contested elements must be cleaned of hazardous substances and returned to the manufacturer, unless otherwise agreed.

To prevent injury to the user or damage to the unit, it is necessary that you read these operating instructions carefully before starting to use the equipment.

The operating instructions are intended for the correct installation, operation and maintenance of the equipment.

Special designs for special applications and custom models are not covered by this documentation.

2 DEVICE DESCRIPTION

2.1 Scope of delivery

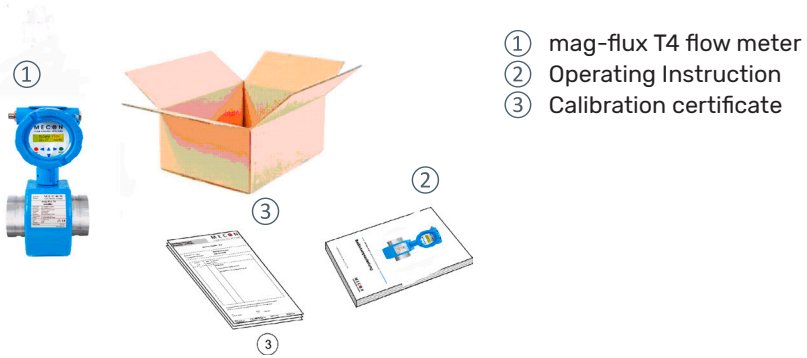


Fig. 1 Scope of delivery

2.2 Nameplate

Nameplate mag-flux M1 transducer

Röntgenstr. 105 50169 Kerpen	mag-flux M1	
Order code:	T4-H-D025-1-13BB1L	
Options:		VdS
Comm. no.:	2019376085001	
Analog output:	4 - 20mA (600 Ohm load)	
Protection:	IP67	
Power:	24V DC ± 15% / 15W	
Flow range:	0 - 290 l/min	⚠ CE
Pulsrate:	1 pulse / l	
Made in Germany		www.mecon.de

Fig. 2 Nameplate mag-flux M1 transducer

Order code:	Equipment type
Options:	Description code
Serial no.:	Options
Analogue output:	Serial number
Protection:	Analogue output
Power:	Protection class
Flow range:	Power supply
	Flow range

Nameplate mag-flux T4 sensor

Röntgenstr. 105 50169 Kerpen	MECON SAFETY CONTROL	
mag-flux T4		
Order code:	T4-H-D025-1-13BB1L	
Options:		
Comm. no.:	2019376085001	
Connection:	DN 25 EN 1092-1 PN 40	
Electrodes:	Stainless steel	⚠
Lining:	Hard rubber	
Protection:	IP67	
Op. pressure max.:	25 bar	VdS
Op. temp. max.:	90 °C	
ZPH / CFH:	7,40 / 589,25	
Made in Germany		www.mecon.de

Fig. 3 Nameplate mag-flux T4 sensor

Order code:	Equipment type
Options:	Description code
Serial no.:	Options
Connection:	Serial number
Electrodes:	Process connection
Lining:	Electrode material
Protection:	lining
Op. pressure max.:	Protection class
Op. temp. max.:	Operating pressure (max.)
ZPH/CFH:	Operating temp. (max.)
	Calibration factors

The operating pressure and temperature depend on the lining material and must be taken from the operating instructions.

3 INSTALLATION AND MODE OF OPERATION

The principle of flow measurement is based on Faraday's law of electro-magnetic induction, where the sensor converts the flow into a voltage that is proportional to the flow rate.

3.1 Measuring principle

In 1832, Faraday proposed the application of the principle of electrodynamic induction for measuring flow velocity. His experiments in the Thames were not successful due to superimposed polarisation effects, but are considered to be the first experiment in the field of magnetic-inductive flow measurement. According to Faraday's law of induction, a conductive liquid flowing through a magnetic field B with a velocity of v results in an electric field E according to the vector product $E = [v \times B]$.

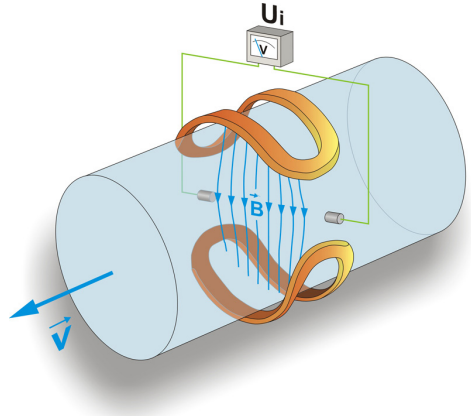


Fig. 4 Principle of magnetic inductive flow measurement

In a tubular measuring tube, provided with an electrically insulating lining and where a liquid flows through with a velocity v and flow Q , a magnetic field B is generated perpendicular to the flow direction by the two excitation coils giving a measurement voltage at the two electrodes. The magnitude of this measurement voltage is proportional to the average flow velocity and the volume flow.

3.2 System Design

The meter consists of a flow sensor and a transducer. The flow sensor is used to measure liquid media. The transducer generates the coil current required for the magnetic field and creates the conditions for the induced voltage applied to the electrodes.

The meter can be supplied both in a compact form (transducer and flow sensor are directly connected) and separately (both components are connected via a cable). If strong vibrations occur in a particular application, a separate design should be installed.

3.3 Installation notes



Information!

All instruments are carefully checked for proper function before shipment. On receipt, immediately check the outer packing carefully for damage or signs of improper handling.

Report damage to the carrier and your local sales staff. In such cases, a description of the defect, the type and the serial number of the device is indicated.

Unpack the unit carefully to avoid damage.

Check the delivery against the packing list for completeness. Check the name plate, if the delivered flow meter according to your order. Check that the correct voltage supply is specified.

Special requirements VdS: The version with rolled grooved ends may only be used in combination with VdS-approved pipe couplings manufactured by Anvil (all Gruvlok mechanical grooved couplings), Jinan Meide (casting couplings type 1G), Minimax, Modgal, Tyco (Grinnell Mechanical and G-Fire steel IPS couplings) and Victaulic (except pipe couplings of the type "Style 77").

3.4 Installation instructions

In general, the measuring principle is independent of the flow profile.

The ideal installation location is in a pipeline with a sufficiently straight section of pipe in front of and behind the measuring point. An inlet of min. 5 x DN and an outlet of min. 2 x DN is required. Where non-stationary vortices extend into the measuring zone (e.g. following elbows, tangential inlets or a half-open valve in front of the sensor), measures to normalise the flow profile are required. Here suitable measures include:

- » Enlarging the inlet and outlet sections
- » Use of flow straighteners
- » Reduction of the pipe cross section

Installation can be horizontal as well as vertical (fig. 5). However, make sure that the axes of the electrodes run in a horizontal direction (direction arrow indicates the electrode axes) to avoid incorrect measurements due to deposits or air bubbles on the electrodes.

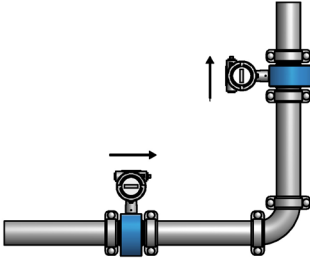


Fig. 5 Installation in horizontal and vertical pipelines

Where there is a free pipe outlet, the sensor should not be installed in a section of pipe that can run empty (e.g. downpipes, Fig. 6). For installations in a downpipe, ensure that the pipeline is always 100% filled with the medium (Fig. 7).

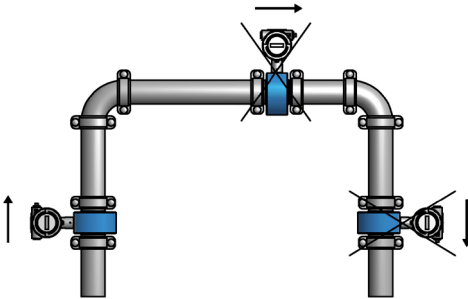


Fig. 6 Installation in rising and falling pipes

The sensor must be installed so that the measuring tube can not run empty and is always filled with the medium. If the pipeline is not full or if there is only a free-flow line (drain), the sensor must be installed in a culvert. (Fig. 7)

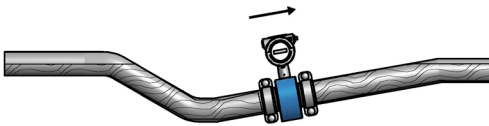


Fig. 7 Installation with piping that is always filled

It is vital to ensure straight inlet and outlet sections. If this cannot be achieved, flow straighteners must be used or alternatively the measuring cross-section must be reduced.

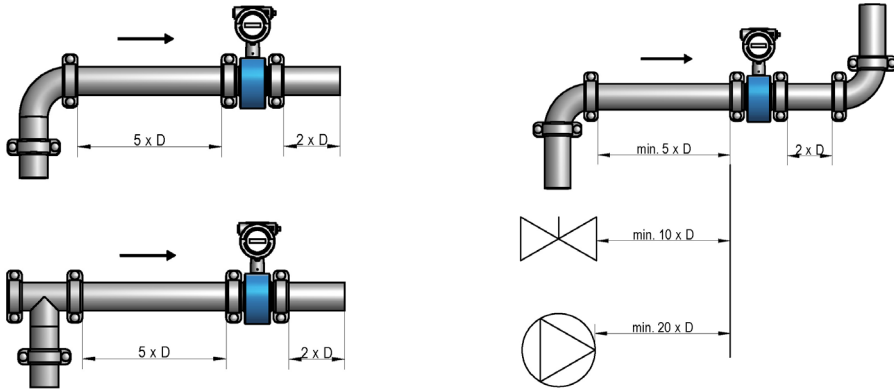


Fig. 8 Installation between elbows, valves and pumps ($D = DN$)

If several sensors are connected in series, the distance between the individual sensors must be at least one sensor length. If two or more sensors are mounted side by side, the minimum distance is 1 m.

Avoid any buildup of gas at the highest point in the pipeline. (Fig. 9)

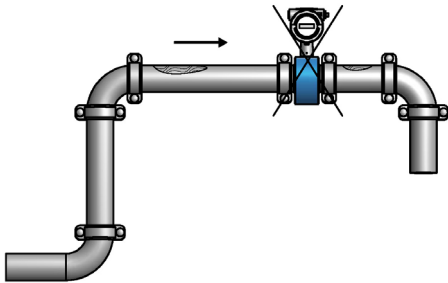


Fig. 9 Installation at the highest point

To ensure trouble-free operation, avoid direct magnetic fields outside the unit.

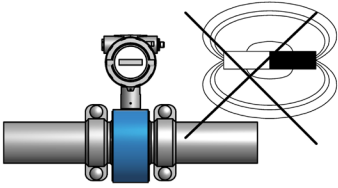


Fig. 10 Avoid magnetic fields

Avoid vibrations and shocks to ensure the long-term functionality of the device.

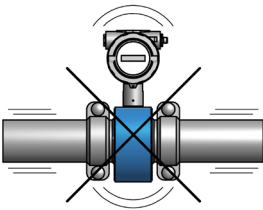


Fig. 11 Avoid shocks

3.5 Assembly

When installing the magnetic inductive flow sensor, both regulations and the instructions in the corresponding operating instructions must be followed. In particular, the regulations for earthing, potential equalisation and connecting a functional earth must be observed.

Potentials

The signal outputs (process outputs) and the mains supply of the mag-flux M1 transducer are galvanically insulated from each other and from the measuring circuit. The housing and the noise filters of the mains connection are connected with PE. The electrodes and the measuring electronics are based on the potential of the functional earth FE of the sensor. The FE is not connected to the PE, but these may be connected together in the sensor connection. If the sensor is earthed using earthing rings, these must be connected to the functional earth FE.

Cathodic protection

When using cathode protection devices which apply a voltage to the pipe wall to prevent corrosion, they must be connected to FE.

The measuring electronics and all operating elements within the transducer now have this potential too.

Installation and repair

Installation or repair may only be carried out by specially trained personnel, i.e. trained electronics technicians or service technicians from MECON GmbH.



Warning!

Before such interventions, the equipment must be completely switched off, all external devices be disconnected and it must be verified that the system is no longer live! Only original parts may be used for repair.

MECON GmbH assumes no liability for any damages caused by improper repairs, use of replacement parts, external electrical or mechanical influences, overvoltages or lightning. Under such circumstances the warranty is invalid. Likewise, no liability whatsoever is accepted for any resulting consequential damages.

If there is a fault, the service department at MECON GmbH is available to help you

Tel: +49 (0)2237 - 6 00 06 - 0
Fax: +49 (0)2237 - 6 00 06 - 40
Email: info@mecon.de

Our customer service is at your disposal to provide coordination and assistance with any necessary diagnostic and repair measures required

Safety instructions for the user

This documentation contains the information required for the intended use of the product described therein. It is intended for qualified personnel. Within the meaning of the safety instructions in this documentation or the product itself, qualified personnel are those persons who

- » either as an electronics technician or
- » a member of maintenance personnel

are familiar with the safety regulations that apply to electrical and automation engineering and the regulations applicable in your country. They must be authorized by the plant operator for installation, commissioning, maintenance or repair.

These qualified personnel must have read and understood these operating instructions and obey the instructions in them!

Hazard Warnings

The following instructions are for your personal safety and also for avoiding damage to the described product or any connected devices.

Safety instructions and warnings to prevent danger to the life and health of users or maintenance personnel, or to prevent damage to property, are highlighted in this documentation with the terms used in signals that are defined here. These terms are used in the sense of the documentation and the references to the products themselves, and have the following meaning:



Danger!

This means that death, serious injury or significant damage to property will occur if the appropriate precautions are not taken!



Warning!

This means that death, serious injury or significant damage to property can occur if the appropriate precautions are not taken!



Attention!

This means that slight physical injuries or damage to property may occur if the appropriate precautions are not taken!

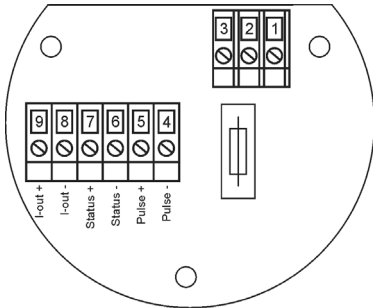


Information!

This is important information about the product, the handling of the product or the relevant part of the documentation, to which particular attention should be given.

3.6 Electrical connection

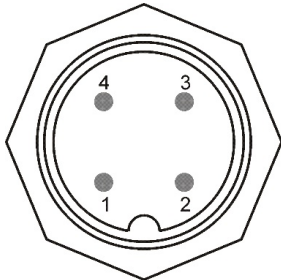
Connection using a cable gland



Terminal	Designation	Function
1	PN	Protective conductor
2	N	Mains
3	L	Mains (phase)
4	Impulse -	Pulse output (passive)
5	Impulse +	Pulse output (passive)
6	Status -	Status output (passive)
7	Status +	Status output (passive)
8	Power -	Power output (active)
9	Power +	Power output (active)

Tab. 1 Terminal connection diagram

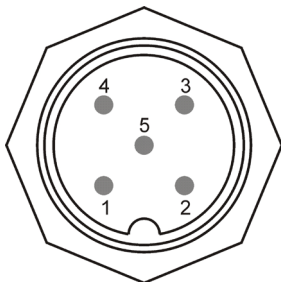
Connection of the transducer with a 230 V / 115 V (4-pin) plug



Pin	wire colour (Connection cable)	Function
1	brown	L / phase
2	white	PE
3	blue	N / neutral conductor
4	black	not used

Tab. 2 Pin assignment Power supply 230 V / 115 V

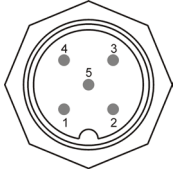
Analogue output 230 V / 115 V (5-pin):



Pin	wire colour (Connection cable)	Function
1	brown	not used
2	white	not used
3	blue	Earth / 0 V
4	black	not used
5	grey	Analogue output 4 - 20 mA

Tab. 3 Connector assignment, Analogue output

Connection of transducer with 24 V plug



Pin	wire colour (Connection cable)	Function
1	brown	+24 V
2	white	not used
3	blue	Earth / 0 V
4	black	not used
5	grey	Analogue output 4 - 20 mA

Tab. 4 Connector assignment Analogue output

Connection of sensor / transducer (with separate design)

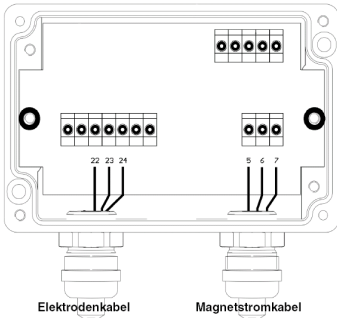


Fig. 11 Electr. connections of the sensor mag-flux T4

Pin	wire colour (Connection cable)	Function
5	brown	Magnetic current 1
6	white	Magnetic current 2
7	green yellow	Potential equalisation / PE
Electrode cable (5-core)		
22	red	Measuring earth
23	brown	Electrode 1
24	white	Electrode 2
* The green-yellow and blue wires are not connected		

Tab. 5 Cable connections with separate design

Connection of solenoid and electrode cables (with separate design)

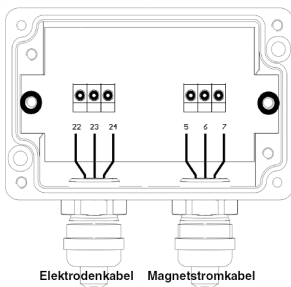


Fig. 12 Sensor connection of the mag-flux M1 sensor

Changing the orientation of the transducer housing (compact design only)

With a compact design, the transducer housing is not rigidly connected to the sensor, but can be extended by max. $\pm 180^\circ$.

In the as delivered condition, the transducer housing is mounted in such a way that the display can be read in the correct position with a horizontal installation position and a direction of flow from left to right.

To change the orientation of the transducer housing, the following steps are required (see also Fig. 14).

1. Loosen the two set screws.
2. The transducer housing must be placed in the desired position.
3. Re-tighten the two set screws.



Fig. 14 Position of the set screws for turning the transducer housing (mag-flux A compact)

4 START-UP

The operating instructions are to be read completely before installation and start-up. Only trained personnel are permitted to carry out installation and repair work! The mag-flux T4 transducer described in these operating instructions may only be used to measure the volumetric flow rate of electrically conductive liquids!

Downloading this document from the homepage www.mecon.de and printing it out for use with one of our MIDs is permitted. No part of this manual may be reproduced or transmitted by electronic or mechanical means, photocopying or otherwise duplicated or reproduced by any other means without the prior written consent of MECON GmbH.

Great care has been taken in the development and preparation of this manual. Nevertheless, mistakes cannot always be avoided. Companies, programmers and authors do not assume any legal or any other liability for incorrect functions or information, or for any consequences.

MECON GmbH makes no warranty, express or implied, as to its suitability for any purpose other than as described in this manual.

We reserve the right to change technical data as a result of developmental progress. The latest information about this product can be found on the Internet at the homepage www.mecon.de. You can also contact our sales department via e-mail at info@mecon.de.

5 TECHNICAL DATA

5.1 Reference conditions

Fluid temperature	+10 °C to +30 °C
Ambient temperature	+20 °C to +30 °C
Warm-up time	30 min.
Straight tube lengths	Inlet section 5 x DN Outlet section 2 x DN properly centred properly earthed

5.2 Flow sensor / transducer

Measuring principle	Synchronised DC field
Input » Process connection / nominal diameter	Thread connection G½"- G2" Coupling connection 50/2 "- 300/12" Flange connection EN 1092-1 DN 15 - DN 300
Measuring accuracy » Measurement error » Repeatability	± 0.5% of the measured value from 1 m/s to 10 m/s ± 0.4% of the measured value +1 mm/s of <1 m/s ± 0.15 % of the measured value from 0.5 m/s to 10 m/s
Mounting position » Inlet section » Outlet section	see installation instructions (page 10) 5 x D 2 x D
Fluid temperature	+4 °C to +50 °C
Ambient temperature	+1 °C to +50 °C
Pressure limits	Threaded connection: max. 16 bar Coupling connection: max. 16 bar Flange connection PN 16: max. 16 bar DN 65 - DN 300 Flange connection PN 25: max. 25 bar DN 200 - DN 300 Flange connection PN 40: max. 25 bar DN 15 - DN 150
Protection type	IP 67

5.3 Condition of fluid

Medium, state of aggregation	Water, liquid
Minimum conductivity	>20 $\mu\text{S/cm}$
Design/ Material » Execution	Fully welded steel valve
Flow rate limits	0.1 - 10 m/s
Sensor materials » Measuring tube » Coil space » Measuring tube lining » Electrode material	Stainless steel Steel Hard rubber, PTFE Stainless steel / Hastelloy
Corrosion protection class	C2 (slightly polluted atmosphere, dry climate)

5.4 Transducer M1

Housing material	Die-cast aluminium housing
Electrical data » Auxiliary energy » Power input	230 V AC, -15%/+10%, 50/60 Hz 115 V AC; -15%/+10%, 50/60 Hz 24 V DC; $\pm 15\%$ 10 W
Analogue output	Current output 4 - 20 mA active
Influence of the ambient temperature	$\pm 0.1\%$ per 10 K
Load	Standard: $\leq 600\ \Omega$
Damping	3 s
Seepage suppression	<0.1 m/s
Display » Line 1 » Line 2	Flow in l/min. or USGPM Flow rate in m/s or feet/s
Ambient temperature	-1 °C to +50 °C, below 0 °C, the readability of the LCD display is limited

5.5 Dimensions Coupling connection Compact design

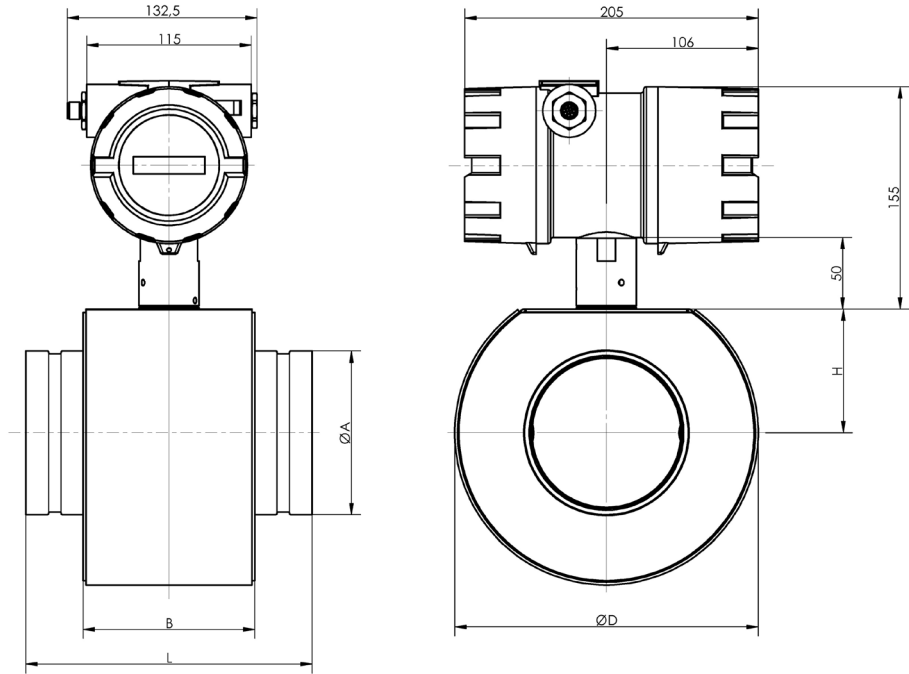


Fig. 15 Dimensions Coupling connection compact design

Nominal size		ØA	Installation length		Dimensions of the sensor housing		
DN		(mm)	L (mm)	(mm)	W (mm)	D (mm)	H (mm)
50	2"	60.3	150	0	80	140	57
65	2½"	76.1	150	0	80	155	63
80	3"	88.9	150	0	80	170	70
100	4"	114.3	200	0	120	210	86
125	5"	139.7	200	0	120	240	98
150	6"	168.3	200	0	120	285	117
200	8"	219.1	300	0	200	350	143
250	10"	273	300	0	200	440	180
300	12"	323.9	300	0	200	520	213

Tab. 6 Dimensions Coupling connection compact design

5.6 Dimensions Coupling connection Separate design

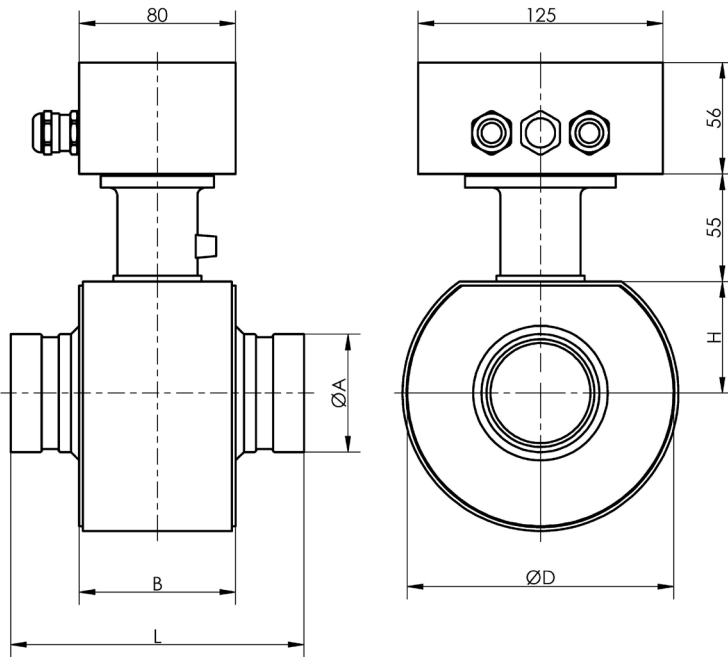


Fig. 16 Dimensions Coupling connection separate design

Nominal size		ØA (mm)	Installation length		Dimensions of the sensor housing		
DN			L (mm)	(mm)	W (mm)	D (mm)	H (mm)
50	2"	60.3	150	+0 / -2.0	80	140	57
65	2½"	76.1	150	+0 / -2.0	80	155	63
80	3"	88.9	150	+0 / -2.0	80	170	70
100	4"	114.3	200	+0 / -2.0	120	210	86
125	5"	139.7	200	+0 / -2.0	120	240	98
150	6"	168.3	200	+0 / -2.0	120	285	117
200	8"	219.1	300	+0 / -2.0	200	350	143
250	10"	273.0	300	+0 / -3.0	200	440	180
300	12"	323.9	300	+0 / -2.0	200	520	213

Tab. 7 Dimensions Coupling connection separate design

5.7 Dimensions Flange connection compact design

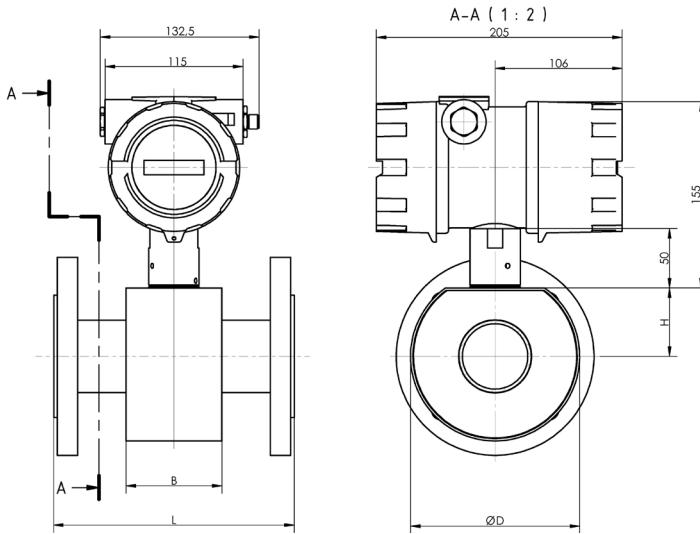


Fig. 17 Dimensions Coupling connection compact design

Nominal size		Installation length		Dimensions of the sensor housing		
DN	ANSI	L (mm)	(mm)	W (mm)	D (mm)	H (mm)
15	½"	200	+0 / -2.0	80	130	53
20	¾"	200	+0 / -2.0	80	130	53
25	1"	200	+0 / -2.0	80	130	53
32	1 ¼"	200	+0 / -2.0	80	130	53
40	1 ½"	200	+0 / -2.0	80	130	53
50	2"	200	+0 / -2.0	80	140	57
65	2 ½"	200	+0 / -2.0	80	155	63
80	3"	200	+0 / -2.0	80	170	70
100	4"	250	+0 / -2.0	120	210	86
125	5"	250	+0 / -2.0	120	240	98
150	6"	300	+0 / -2.0	120	285	117
200	8"	350	+0 / -2.0	200	350	143
250	10"	450	+0 / -3.0	200	440	180
300	12"	300	+0 / -2.0	200	520	213

Tab. 8 Dimensions Flange connection compact design

5.8 Dimensions Flange connection separate design

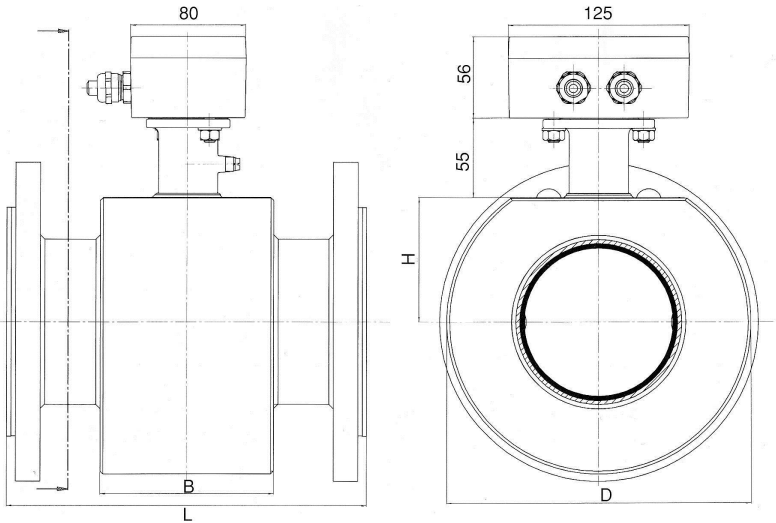


Fig. 18 Dimensions Coupling connection separate design

Nominal size		Installation length		Dimensions of the sensor housing		
DN	ANSI	L (mm)	(mm)	W (mm)	D (mm)	H (mm)
15	½"	200	+0 / -2.0	80	130	53
20	¾"	200	+0 / -2.0	80	130	53
25	1"	200	+0 / -2.0	80	130	53
32	1¼"	200	+0 / -2.0	80	130	53
40	1½"	200	+0 / -2.0	80	130	53
50	2"	200	+0 / -2.0	80	140	57
65	2½"	200	+0 / -2.0	80	155	63
80	3"	200	+0 / -2.0	80	170	70
100	4"	250	+0 / -2.0	120	210	86
125	5"	250	+0 / -2.0	120	240	98
150	6"	300	+0 / -2.0	120	285	117
200	8"	350	+0 / -2.0	200	350	143
250	10"	450	+0 / -3.0	200	440	180
300	12"	500	+0 / -3.0	200	520	213

Tab. 9 Dimensions Coupling connection separate design

5.9 Dimensions Thread connection Compact design

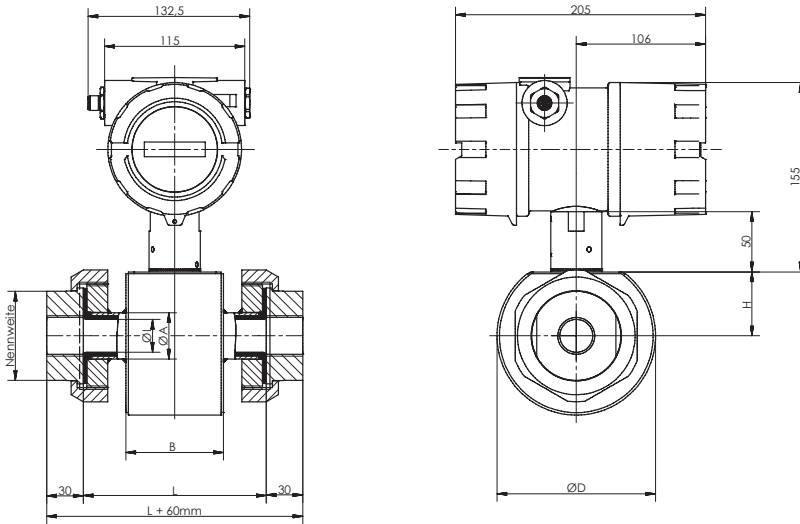


Fig. 19 Dimensions PTFE with threaded connection Compact design

Nominal size	Installation length			Dimensions of the sensor housing		
	Ø I *	L (mm)	(mm)	W (mm)	D (mm)	H (mm)
G ½"	14.0	150	+0 / -2.0	80	130	53
G ¾"	19.0	150	+0 / -2.0	80	130	53
G 1"	27.0	150	+0 / -2.0	80	130	53
G 1¼"	33.0	150	+0 / -2.0	80	130	53
G 1½"	38.0	150	+0 / -2.0	80	130	53
G 2"	48.5	150	+0 / -2.0	80	140	57

Tab. 10 Dimensions PTFE with threaded connection compact design

* smallest permissible inside diameter of pipe

5.10 Dimensions Thread connection Separate design

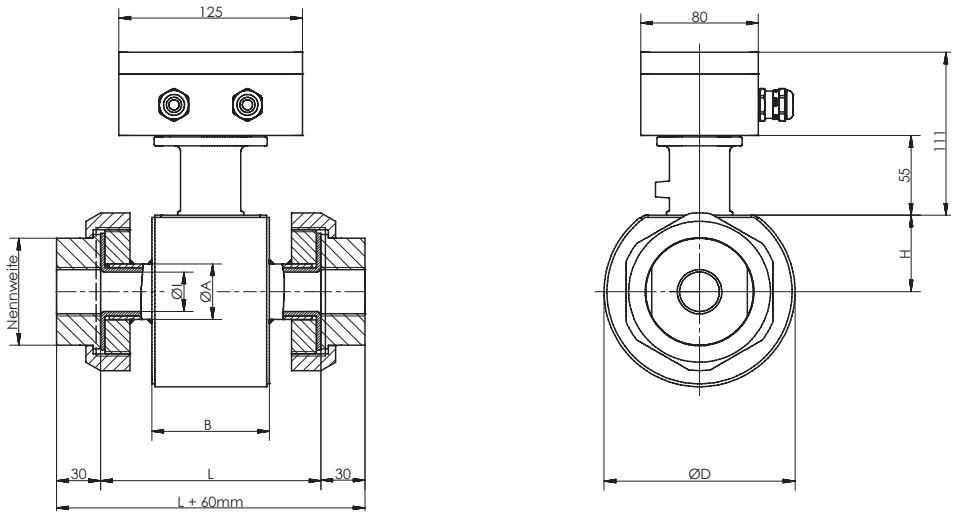


Fig. 20 Dimensions Coupling connection Separate design

Nominal size	Installation length			Dimensions of the sensor housing		
	Ø I *	L (mm)	(mm)	W (mm)	D (mm)	H (mm)
G ½"	14.0	150	+0 / -2.0	80	130	53
G ¾"	19.0	150	+0 / -2.0	80	130	53
G 1"	27.0	150	+0 / -2.0	80	130	53
G 1¼"	33.0	150	+0 / -2.0	80	130	53
G 1½"	38.0	150	+0 / -2.0	80	130	53
G 2"	48.5	150	+0 / -2.0	80	140	57

Tab. 11 Dimensions PTFE with threaded connection separate design

5.11 Dimensions of transducer mag-flux M1

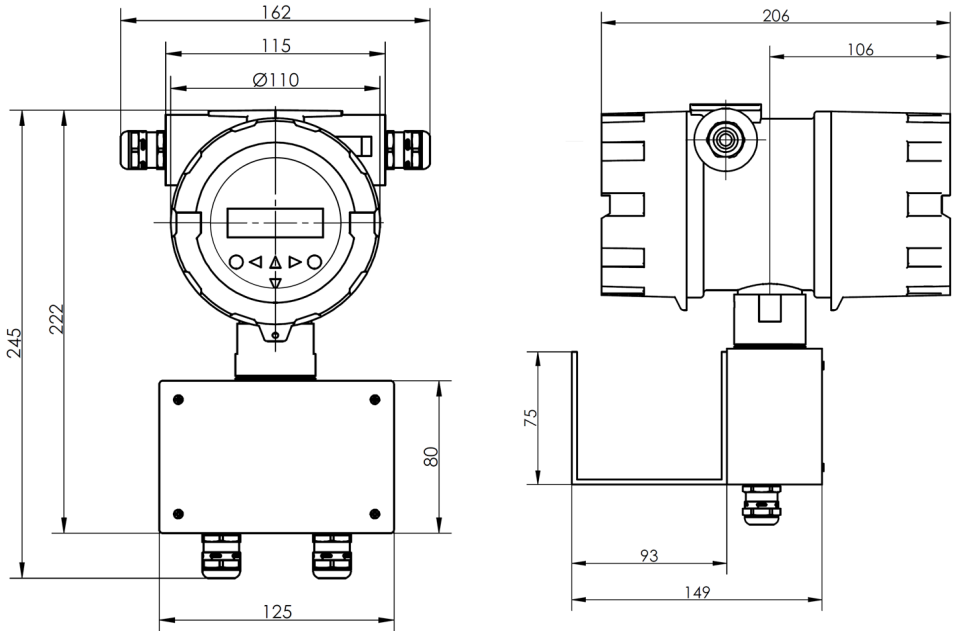


Fig. 21 Dimensions of transducer mag-flux M1

Weight 3.9 kg (8.6 lb)

6 DESCRIPTION CODE

The description code is made up as follows:

T4- - - - BB

①
②
③
④
⑤
⑥

① Lining: Hard rubber

Nominal size	Connection	Flow range	
H-K050	Coupling connection DN50 / 2"	0 - 1 178 l /min.	0 - 310 USgpm
H-K065	Coupling connection DN 65 / 2 ½"	0 - 1 990 l /min.	0 - 525 USgpm
H-K080	Coupling connection DN 80 / 3"	0 - 3 015 l /min.	0 - 800 USgpm
H-K100	Coupling connection DN 100 / 4"	0 - 4 712 l /min.	0 - 1 250 USgpm
H-K125	Coupling connection DN 125 / 5"	0 - 7 363 l /min.	0 - 1 950 USgpm
H-K150	Coupling connection DN 150 / 6"	0 - 10 602 l /min.	0 - 2 800 USgpm
H-K200	Coupling connection DN 200 / 8"	0 - 18 849 l /min.	0 - 5 000 USgpm
H-K250	Coupling connection DN 250 / 10"	0 - 29 452 l /min.	0 - 7 800 USgpm
H-K300	Coupling connection DN 300 / 12"	0 - 42 411 l /min.	0 - 11 200 USgpm
H-D015	Flange connection EN 1092-1 DN 15 PN 40	0 - 106 l/min.	0 - 28 USpm
H-D020	Flange connection EN 1092-1 DN 20 PN 40	0 - 188 l/min.	0 - 50 USgpm
H-D025	Flange connection EN 1092-1 DN 25 PN 40	0 - 294 l/min.	0 - 78 USgpm
H-D032	Flange connection EN 1092-1 DN 32 PN 40	0 - 482 l/min.	0 - 130 USgpm
H-D040	Flange connection EN 1092-1 DN 40 PN 40	0 - 753 l/min.	0 - 200 USgpm
H-D050	Flange connection EN 1092-1 DN 50 PN 40	0 - 1 178 l /min.	0 - 310 USgpm
H-D065	Flange connection EN 1092-1 DN 65 PN 16	0 - 1 990 l /min.	0 - 525 USgpm
H-H065	Flange connection EN 1092-1 DN 65 PN 40	0 - 1 990 l /min.	0 - 525 USgpm
H-D080	Flange connection EN 1092-1 DN 80 PN 16	0 - 3 015 l /min.	0 - 800 USgpm
H-H080	Flange connection EN 1092-1 DN 80 PN 40	0 - 3 015 l /min.	0 - 800 USgpm
H-D100	Flange connection EN 1092-1 DN 100 PN 16	0 - 4 712 l /min.	0 - 1 250 USgpm
H-H100	Flange connection EN 1092-1 DN 100 PN 40	0 - 4 712 l /min.	0 - 1 250 USgpm
H-D125	Flange connection EN 1092-1 DN 125 PN 16	0 - 7 363 l /min.	0 - 1 950 USgpm
H-H125	Flange connection EN 1092-1 DN 125 PN 40	0 - 7 363 l /min.	0 - 1 950 USgpm
H-D150	Flange connection EN 1092-1 DN 150 PN 16	0 - 10 602 l /min.	0 - 2 800 USgpm
H-H150	Flange connection EN 1092-1 DN 150 PN 40	0 - 10 602 l /min.	0 - 2 800 USgpm
H-D200	Flange connection EN 1092-1 DN 200 PN 16	0 - 18 849 l /min.	0 - 5 000 USgpm
H-H200	Flange connection EN 1092-1 DN 200 PN 25	0 - 18 849 l /min.	0 - 5 000 USgpm
H-D250	Flange connection EN 1092-1 DN 250 PN 16	0 - 29 452 l /min.	0 - 7 800 USgpm
H-H250	Flange connection EN 1092-1 DN 250 PN 25	0 - 29 452 l /min.	0 - 7 800 USgpm
H-D300	Flange connection EN 1092-1 DN 300 PN 16	0 - 42 411 l /min.	0 - 11 200 USgpm
H-H300	Flange connection EN 1092-1 DN 300 PN 25	0 - 42 411 l /min.	0 - 11 200 USgpm

DESCRIPTION CODE

Nominal size	Connection	Flow range	
H-A015	Flange connection ANSI B16.5 ½" 150RF	0 - 106 l/min.	0 - 28 USgpm
H-A020	Flange connection ANSI B16.5 ¾" 150RF	0 - 188 l/min.	0 - 50 USgpm
H-A025	Flange connection ANSI B16.5 1" 150RF	0 - 294 l/min.	0 - 78 USgpm
H-A032	Flange connection ANSI B16.5 1 ¼" 150RF	0 - 482 l/min.	0 - 130 USgpm
H-A040	Flange connection ANSI B16.5 1½" 150RF	0 - 753 l/min.	0 - 200 USgpm
H-A050	Flange connection ANSI B16.5 2" 150RF	0 - 1 178 l /min.	0 - 310 USgpm
H-A065	Flange connection ANSI B16.5 ½" 150RF	0 - 1 990 l /min.	0 - 525 USgpm
H-A080	Flange connection ANSI B16.5 3" 150RF	0 - 3 015 l /min.	0 - 800 USgpm
H-A100	Flange connection ANSI B16.5 4" 150RF	0 - 4 712 l /min.	0 - 1 250 USgpm
H-A125	Flange connection ANSI B16.5 5" 150RF	0 - 7 363 l /min.	0 - 1 950 USgpm
H-A150	Flange connection ANSI B16.5 6" 150RF	0 - 10 602 l /min.	0 - 2 800 USgpm
H-A200	Flange connection ANSI B16.5 8" 150RF	0 - 18 849 l /min.	0 - 5 000 USgpm
H-A250	Flange connection ANSI B16.5 10" 150RF	0 - 29 452 l /min.	0 - 7 800 USgpm
H-A300	Flange connection ANSI B16.5 12" 150RF	0 - 42 411 l /min.	0 - 11 200 USgpm

① Lining: PTFE

Nominal size	Connection	Flow range	
P-D015	Flange connection EN 1092-1 DN 15 PN 40	0 - 106 l/min.	0 - 28 USgpm
P-D020	Flange connection EN 1092-1 DN 20 PN 40	0 - 188 l/min.	0 - 50 USgpm
P-D025	Flange connection EN 1092-1 DN 25 PN 40	0 - 294 l/min.	0 - 78 USgpm
P-D032	Flange connection EN 1092-1 DN 32 PN 40	0 - 482 l/min.	0 - 130 USgpm
P-D040	Flange connection EN 1092-1 DN 40 PN 40	0 - 753 l/min.	0 - 200 USgpm
P-D050	Flange connection EN 1092-1 DN 50 PN 40	0 - 1178 l/min.	0 - 310 USgpm
P-D065	Flange connection EN 1092-1 DN 65 PN 16	0 - 1990 l/min.	0 - 525 USgpm
P-H065	Flange connection EN 1092-1 DN 65 PN 40	0 - 1990 l/min.	0 - 525 USgpm
P-D080	Flange connection EN 1092-1 DN 80 PN 16	0 - 3 015 l/min.	0 - 800 USgpm
P-H080	Flange connection EN 1092-1 DN 80 PN 40	0 - 3 015 l/min.	0 - 800 USgpm
P-D100	Flange connection EN 1092-1 DN 100 PN 16	0 - 4 712 l/min.	0 - 1 250 USgpm
P-H100	Flange connection EN 1092-1 DN 100 PN 40	0 - 4 712 l/min.	0 - 1 250 USgpm
P-D125	Flange connection EN 1092-1 DN 125 PN 16	0 - 7 363 l/min.	0 - 1 950 USgpm
P-H125	Flange connection EN 1092-1 DN 125 PN 40	0 - 7 363 l/min.	0 - 1 950 USgpm
P-D150	Flange connection EN 1092-1 DN 150 PN 16	0 - 10 602 l/min.	0 - 2 800 USgpm
P-H150	Flange connection EN 1092-1 DN 150 PN 40	0 - 10 602 l/min.	0 - 2 800 USgpm
P-D200	Flange connection EN 1092-1 DN 200 PN 16	0 - 18 849 l/min.	0 - 5 000 USgpm
P-H200	Flange connection EN 1092-1 DN 200 PN 25	0 - 18 849 l/min.	0 - 5 000 USgpm
P-D250	Flange connection EN 1092-1 DN 250 PN 16	0 - 29 452 l/min.	0 - 7 800 USgpm
P-H250	Flange connection EN 1092-1 DN 250 PN 25	0 - 29 452 l/min.	0 - 7 800 USgpm
P-D300	Flange connection EN 1092-1 DN 300 PN 16	0 - 42 411 l/min.	0 - 11 200 USgpm
P-H300	Flange connection EN 1092-1 DN 300 PN 25	0 - 42 411 l/min.	0 - 11 200 USgpm
P-G015	Thread connection G ½"	0 - 106 l/min.	0 - 28 USgpm
P-G020	Threaded connection G ¾"	0 - 188 l/min.	0 - 50 USgpm
P-G025	Threaded connection G 1"	0 - 294 l/min.	0 - 78 USgpm
P-G032	Thread connection G 1¼"	0 - 482 l/min.	0 - 130 USgpm
P-G040	Thread connection G 1½"	0 - 753 l/min.	0 - 200 USgpm
P-G050	Threaded connection G 2"	0 - 1178 l/min.	0 - 310 USgpm

DESCRIPTION CODE

Nominal size	Connection	Flow range	
P-A015	Flange connection ANSI B16.5 ½" 150RF	0 - 106 l/min.	0 - 28 USgpm
P-A020	Flange connection ANSI B16.5 ¾" 150RF	0 - 188 l/min.	0 - 50 USgpm
P-A025	Flange connection ANSI B16.5 1" 150RF	0 - 294 l/min.	0 - 78 USgpm
P-A032	Flange connection ANSI B16.5 1 ¼" 150RF	0 - 482 l/min.	0 - 130 USgpm
P-A040	Flange connection ANSI B16.5 1 ½" 150RF	0 - 753 l/min.	0 - 200 USgpm
P-A050	Flange connection ANSI B16.5 2" 150RF	0 - 1 178 l/min.	0 - 310 USgpm
P-A065	Flange connection ANSI B16.5 2 ½" 150RF	0 - 1 990 l/min.	0 - 525 USgpm
P-A080	Flange connection ANSI B16.5 3" 150RF	0 - 3 015 l/min.	0 - 800 USgpm
P-A100	Flange connection ANSI B16.5 4" 150RF	0 - 4 712 l/min.	0 - 1 250 USgpm
P-A125	Flange connection ANSI B16.5 5" 150RF	0 - 7 363 l/min.	0 - 1 950 USgpm
P-A150	Flange connection ANSI B16.5 6" 150RF	0 - 10 602 l/min.	0 - 2 800 USgpm
P-A200	Flange connection ANSI B16.5 8" 150RF	0 - 18 849 l/min.	0 - 5 000 USgpm
P-A250	Flange connection ANSI B16.5 10" 150RF	0 - 29 452 l/min.	0 - 7 800 USgpm
P-A300	Flange connection ANSI B16.5 12" 150RF	0 - 42 411 l/min.	0 - 11 200 USgpm

② **Electrode material**

1	Stainless steel
2	Hastelloy C276

③ **Transducer**

1	Electronics M1 compact
2	Electronics M1 separated with 5 m cable between sensor and transducer

④ **Auxiliary voltage**

1	230 V AC, 50/60 Hz / 15 VA
2	115 V AC, 50/60 Hz / 15 VA
3	24 V DC $\pm 15\%$ / 15 W

⑤ **Connector for transducer**

1	without (with cable gland M20 x 1.5)
4	230 V: 1 x circular connector M12 x 1 (5-pin) with 5 m cable 1 x circular connector M12 x 1 (4 pin) with 5 m cable
5	24 V: 1 x circular connector M12 x 1 (5-pin) with 5 m cable

⑥ **Measuring range display**

Code	Line 1	Line 2
L	l/min.	m/s
G	USgpm	Feet/s

7 SERVICE

7.1 Storage

Store the emptied device in a dry and dust-free place. Keep away from direct sunlight and heat. Avoid external loads being placed on the equipment. The permissible storage temperature is -20 °C to +60 °C.

7.2 Maintenance

The magnetic-inductive measuring device mag-flux T4 is maintenance-free.

7.3 Returning the equipment to the manufacturer

Thanks to careful manufacturing processes and final checks on the equipment, trouble-free use of the mag-flux T4 can be expected during installation and during operation in accordance with these operating instructions.

Should you nevertheless need to return a device to MECON GmbH please observe the following points:

Attention!



For reasons of environmental protection and safeguarding the health and safety of our personnel, all equipment sent to MECON GmbH to be repaired must be free of any toxic and hazardous substances. This also applies to cavities in the equipment. If necessary, the customer is kindly requested to neutralize or rinse the devices before returning them to MECON GmbH. The customer must confirm this by completing and submitting the returns form on the MECON GmbH website Can be found at:

» <https://www.meccon.de/en/device-returns/>

7.4 Disposal

Attention!



When disposing of equipment, please comply with the regulations in your country.

8 FAULT MESSAGES

List of fault messages - self-test faults

If a self-test fault occurs during operation, it will be displayed as a plain text fault message in the 2nd line of the LCD display of the transducer. Depending on the preset language, the message is output in German (default) or English.

Notification on the display	Description	Possible cause of fault and its rectification
Tube empty	Empty pipe detection is switched on. Pipe is empty.	Ensure it is filled.
Coil current	Line interruption to the field coil. The signal outputs are set to zero.	Send mag-flux T4 back to MECON GmbH
Overdriven measuring circuit	The measured electrode voltage is too large. The signal outputs are set to zero.	Flow is too great. $v > 10$ m/s
Power overdriven	The output of the current interface is overdriven.	Flow is too great. $v > 10$ m/s
ext. EEPROM is missing	The data storage module (DSB) with the calibration data and settings of the transducer is not plugged in.	Send mag-flux T4 back to MECON GmbH

Tab. 12 Fault messages

MECON
SAFETY CONTROL



MECON GmbH
Röntgenstr. 105
50169 Kerpen
Germany

Tel.: +49 (0) 2237 600 06 - 0
Fax: +49 (0) 2237 600 06 - 40
E-Mail: info@mecon.de

Web: www.mecon.de